



**GLENSOUND
ELECTRONICS LTD**

FADER 6

6 CHANNEL MIXER

PRODUCT DETAILS

GLENSOUND ELECTRONICS LTD

FADER 6

6 CHANNEL MIXER

HANDBOOK CONTENTS

DATE 10/07/12

WP06-433

ISSUE No. 1

	DESCRIPTION	DRAWING No
1.	GlenSound, Warranty & Product Information (3 Pages)	
2.	FADER 6 Button Operation	WP24-83
3.	FADER 6 Panel Views	A1-17056
4.	FADER 6 Block Diagram	A1-17058
5.	FADER 6 High Quality RF Safe Mic Amp	A2-17094
6.	FADER 6 XLR Adaptor Board GSX91	A4-17096
7.	FADER 6 Main Headphones 1	A3-17126
8.	FADER 6 Main Headphones 2	A3-17128
9.	FADER 6 Main Mixer	A3-17130
10.	FADER 6 Mic Routing	A2-17132
11.	FADER 6 Misc	A4-17134
12.	FADER 6 Main Compressors	A3-17136
13.	FADER 6 Rear I/O	A2-17138
14.	FADER PSU Circuit Diagram	A4-16914



GLENSOUND ELECTRONICS LTD.
6 BROOKS PLACE, MAIDSTONE, KENT, ME14 1HE, ENGLAND

Tel: +44 (0) 1622 753662
Fax: +44 (0) 1622 762330



GlenSound Electronics Ltd

Thank you for choosing a new GlenSound product.

All rights reserved.

Information contained in this manual is subject to change without notice, if in doubt please contact us for the latest product information.

If you need any help with the product then we can be contacted at:

GlenSound Electronics Ltd
1 – 6 Brooks Place
Maidstone
Kent
ME14 1HE
United Kingdom

Telephone: +44 (0) 1622 753662

Fax: +44 (0) 1622 762330

EMAIL ADDRESSES

General enquires: office@glenSound.co.uk

Technical enquires: techinfo@glenSound.co.uk

Sales enquires: sales@glenSound.co.uk

PRODUCT WARRANTY:

All equipment is fully tested before dispatch and carefully designed to provide you with trouble free use for many years.

We have a policy of supporting products for as long as possible and guarantee to be able to support your product for a minimum of 10 years.

For a period of one year after the goods have been despatched the Company will guarantee the goods against any defect developing after proper use providing such defects arise solely from faulty materials or workmanship and that the Customer shall return the goods to the Company's works or their local dealer.

All non wear parts are guaranteed for 2 years after despatch and any defect developing after proper use from faulty materials or workmanship will be repaired under this warranty providing the Customer returns the goods to the Company's works or their local dealer.



This equipment manufactured by Glensound Electronics Ltd of Brooks Place Maidstone Kent ME14 1HE is CE marked and conforms to:

Low Voltage Directive:	EN60065
Emissions:	EN55103.1
Immunity:	EN55103.2

WASTE ELECTRICAL AND ELECTRONIC EQUIPMENT REGULATIONS 2006 (WEEE)

GlenSound Electronics Ltd is registered for business to business sales of WEEE in the UK our registration number is:

WEE/JJ0074UR

RoHS DIRECTIVE

EC directive 2002/95/EC restricts the use of the hazardous substances listed below in electrical and electronic equipment.

This product conforms to the above directive and for this purposes, the maximum concentration values of the restricted substances by weight in homogenous materials are:

Lead	0.1%
Mercury	0.1%
Hexavalent Chromium	0.1%
Polybrominated Biphenyls	0.1%
Polybrominated Diphenyl Ethers	0.1%
Cadmium	0.01%



HOW TO CHANGE CHANNEL ON/ OFF BUTTON OPERATION ON FADER 3 or 6

Two modes are available for the channel on/ off button. The selected configuration will be stored, and reloaded when the FADER 3 or 6 is next switched on.

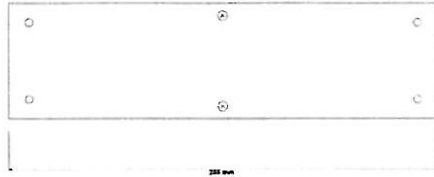
To change the operation of the FADER 3 or 6:

1. Turn the FADER 3 or 6 off.
2. Hold down the channel on/ off button to be programmed.
3. Turn the FADER 3 or 6 on.
4. Release the channel on/ off button.
5. Press (for a few seconds) and release the channel on/ off button until the desired mode is selected (as indicated by the adjacent LED, described below).
6. Turn FADER 3 or 6 off...the button operation will be saved and reloaded next time the FADER 3 or 6 is turned on.

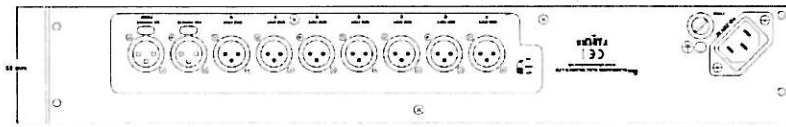
PROGRAM modes

The following configuration modes are available for the channel on/ off button:

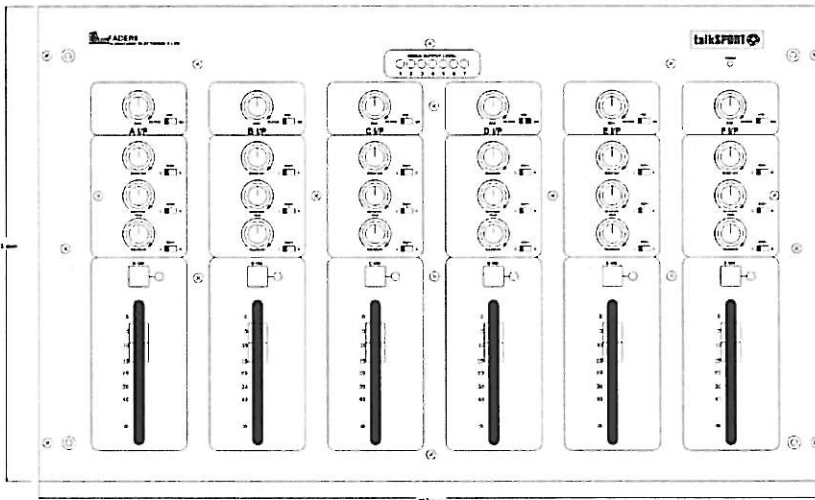
- 1) **Channel toggle on/off**
Indication of mode during mode change:
 - LED will be on constantly.
- 2) **PROGRAM momentary off mode(cough)**
Indication of mode during mode change:
 - LED will flash.



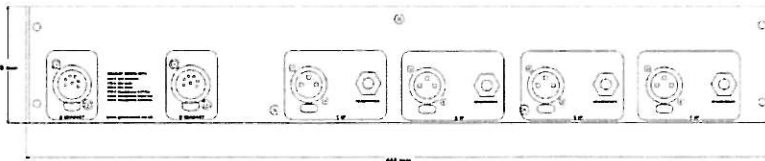
SIDE VIEW



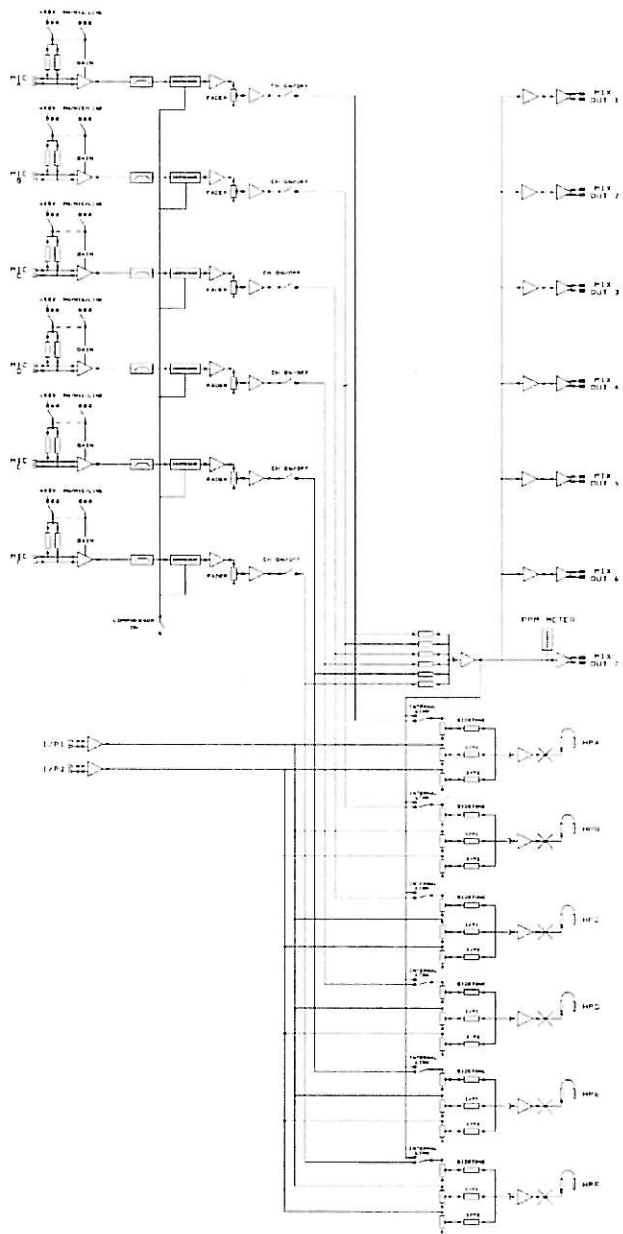
REAR VIEW

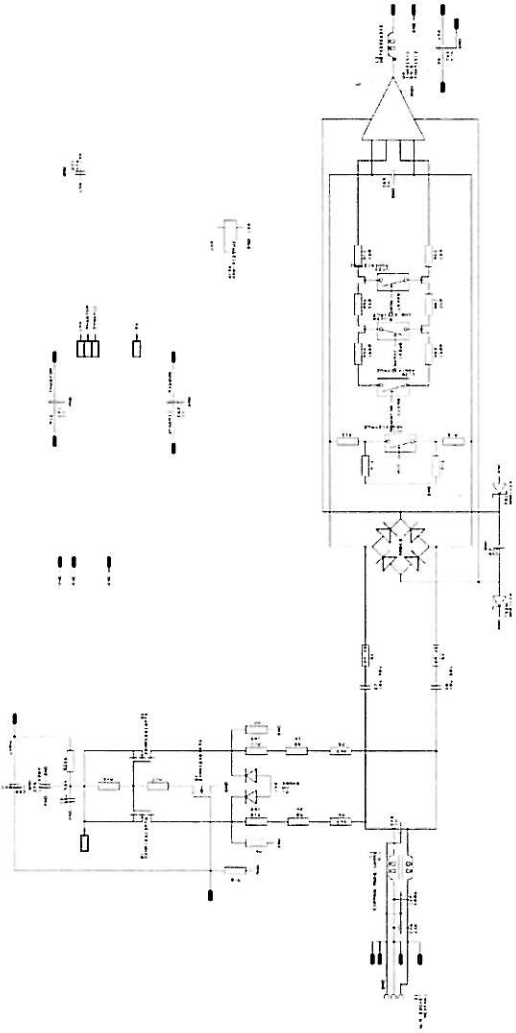


TOP VIEW



FRONT VIEW

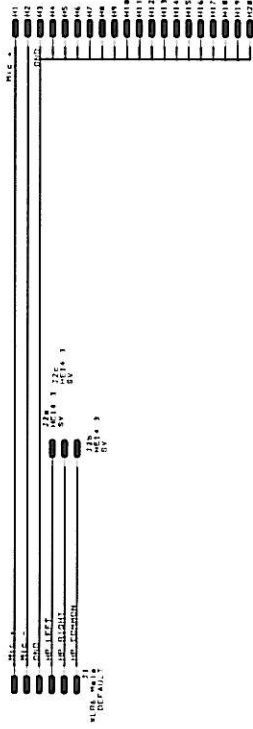




HIGH QUALITY RF SAFE MIC AMP

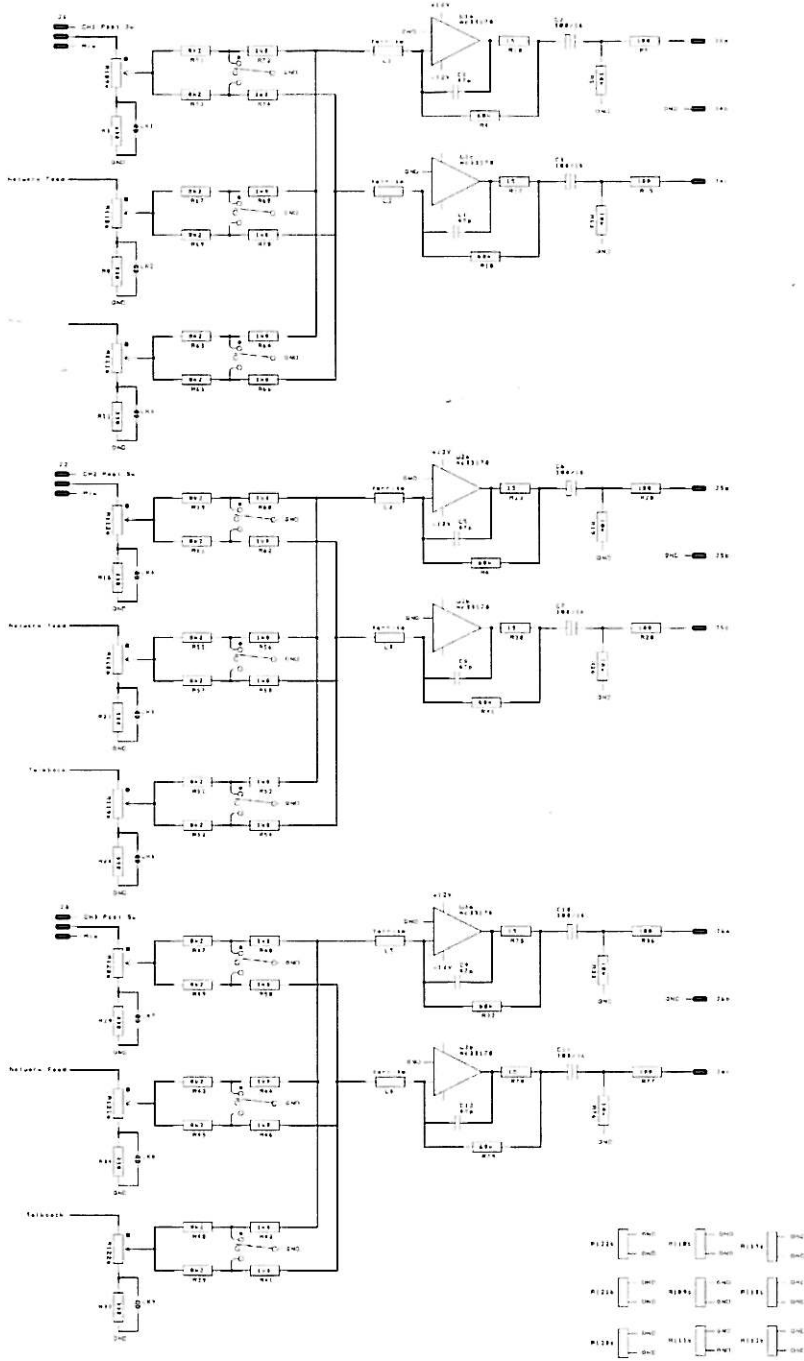
ISSUE 1 DATE 20/06/12 DRAWING NUMBER A2-17094





ISSUE	1							(c) GLENSOUND		
DATE	27/06/12							SUBJECT FADER3 / FADER 6 6 PIN XLR ADAPTOR BOARD GSX91		
DRAWN	GDD							DRG. REF. A4-17096		

 **GLENSOUND**
ELECTRONICS LTD.

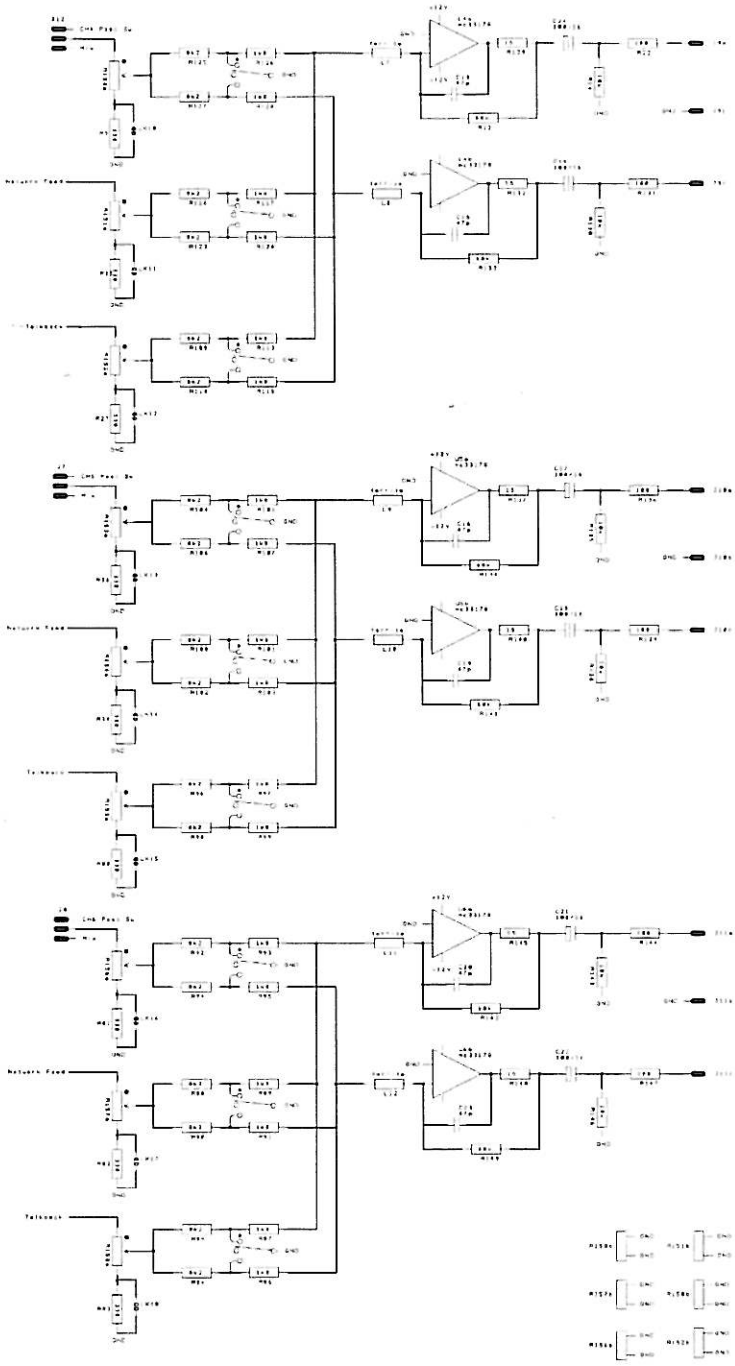


Fader 6 GSY45
Main Headphones 1

ISSUE 1

DATE 10/07/2012

DRAWING NUMBER A3-17126

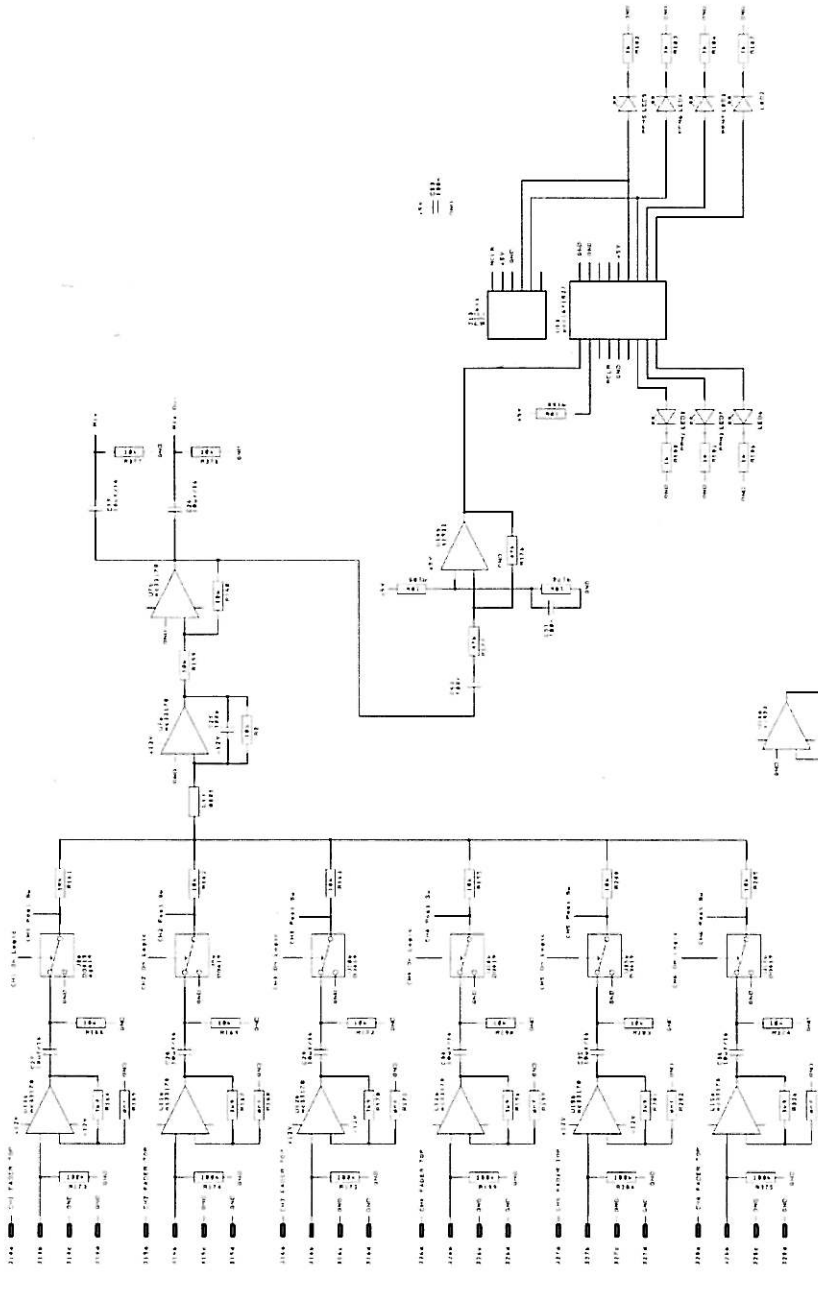


R1000	10k	R1010	10k	R1020	10k
R1030	10k	R1040	10k	R1050	10k
R1060	10k	R1070	10k	R1080	10k
R1090	10k	R1100	10k	R1110	10k
R1120	10k	R1130	10k	R1140	10k
R1150	10k	R1160	10k	R1170	10k
R1180	10k	R1190	10k	R1200	10k
R1210	10k	R1220	10k	R1230	10k
R1240	10k	R1250	10k	R1260	10k
R1270	10k	R1280	10k	R1290	10k
R1300	10k	R1310	10k	R1320	10k
R1330	10k	R1340	10k	R1350	10k
R1360	10k	R1370	10k	R1380	10k
R1390	10k	R1400	10k	R1410	10k
R1420	10k	R1430	10k	R1440	10k
R1450	10k	R1460	10k	R1470	10k
R1480	10k	R1490	10k	R1500	10k
R1510	10k	R1520	10k	R1530	10k
R1540	10k	R1550	10k	R1560	10k
R1570	10k	R1580	10k	R1590	10k
R1600	10k	R1610	10k	R1620	10k
R1630	10k	R1640	10k	R1650	10k
R1660	10k	R1670	10k	R1680	10k
R1690	10k	R1700	10k	R1710	10k
R1720	10k	R1730	10k	R1740	10k
R1750	10k	R1760	10k	R1770	10k
R1780	10k	R1790	10k	R1800	10k
R1810	10k	R1820	10k	R1830	10k
R1840	10k	R1850	10k	R1860	10k
R1870	10k	R1880	10k	R1890	10k
R1900	10k	R1910	10k	R1920	10k
R1930	10k	R1940	10k	R1950	10k
R1960	10k	R1970	10k	R1980	10k
R1990	10k	R2000	10k	R2010	10k
R2020	10k	R2030	10k	R2040	10k
R2050	10k	R2060	10k	R2070	10k
R2080	10k	R2090	10k	R2100	10k
R2110	10k	R2120	10k	R2130	10k
R2140	10k	R2150	10k	R2160	10k
R2170	10k	R2180	10k	R2190	10k
R2200	10k	R2210	10k	R2220	10k
R2230	10k	R2240	10k	R2250	10k
R2260	10k	R2270	10k	R2280	10k
R2290	10k	R2300	10k	R2310	10k
R2320	10k	R2330	10k	R2340	10k
R2350	10k	R2360	10k	R2370	10k
R2380	10k	R2390	10k	R2400	10k
R2410	10k	R2420	10k	R2430	10k
R2440	10k	R2450	10k	R2460	10k
R2470	10k	R2480	10k	R2490	10k
R2500	10k	R2510	10k	R2520	10k
R2530	10k	R2540	10k	R2550	10k
R2560	10k	R2570	10k	R2580	10k
R2590	10k	R2600	10k	R2610	10k
R2620	10k	R2630	10k	R2640	10k
R2650	10k	R2660	10k	R2670	10k
R2680	10k	R2690	10k	R2700	10k
R2710	10k	R2720	10k	R2730	10k
R2740	10k	R2750	10k	R2760	10k
R2770	10k	R2780	10k	R2790	10k
R2800	10k	R2810	10k	R2820	10k
R2830	10k	R2840	10k	R2850	10k
R2860	10k	R2870	10k	R2880	10k
R2890	10k	R2900	10k	R2910	10k
R2920	10k	R2930	10k	R2940	10k
R2950	10k	R2960	10k	R2970	10k
R2980	10k	R2990	10k	R3000	10k

Fader 6 GSY45
Main Headphones 2

ISSUE 1 DATE 10/07/2012
DRAWING NUMBER A3-17128

GLEN SOUND
ELECTRONICS LTD ©/2012



Fader 6 GSY45
Main Mixer

ISSUE 1 DATE 10/07/2012
DRAWING NUMBER A3-17130



© 2012

**GLENSOUND
ELECTRONICS LTD**

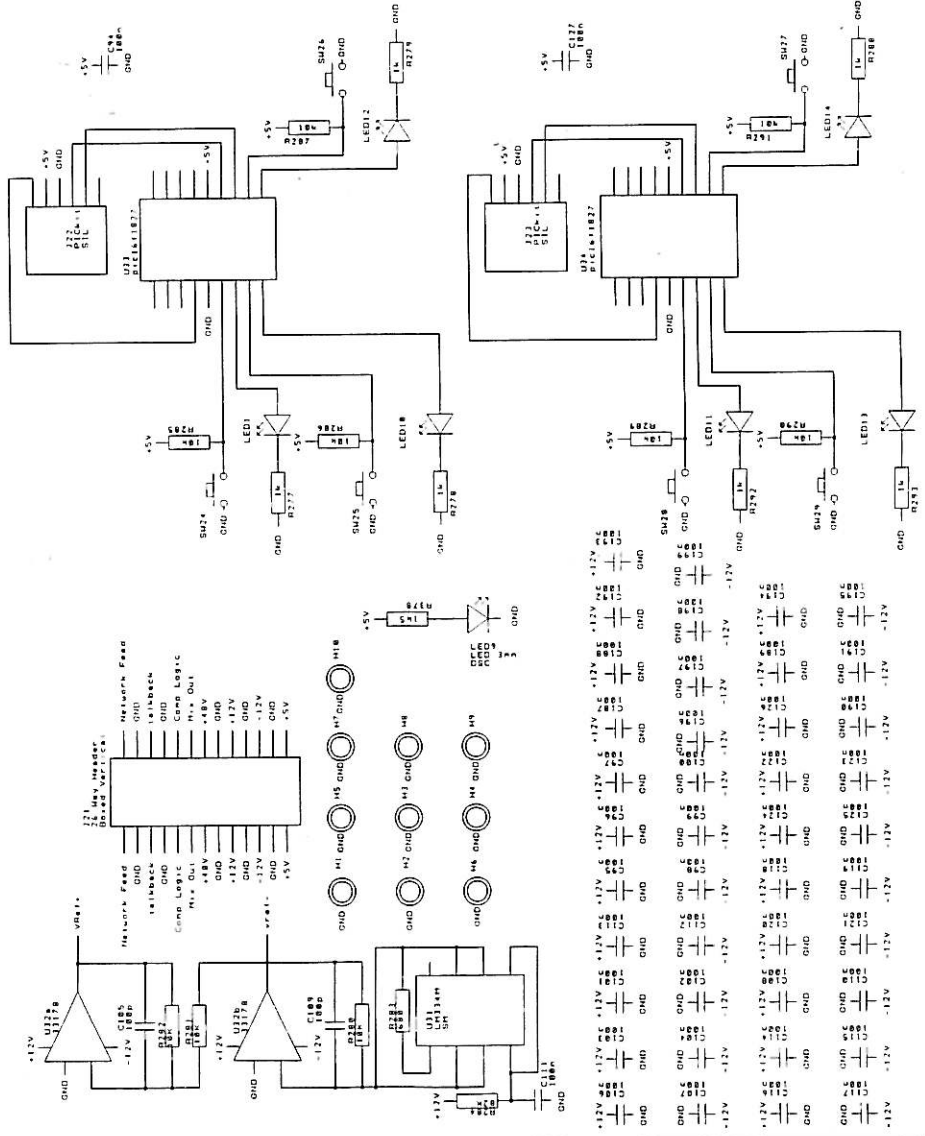
ISSUE DATE
1 10/07/2012

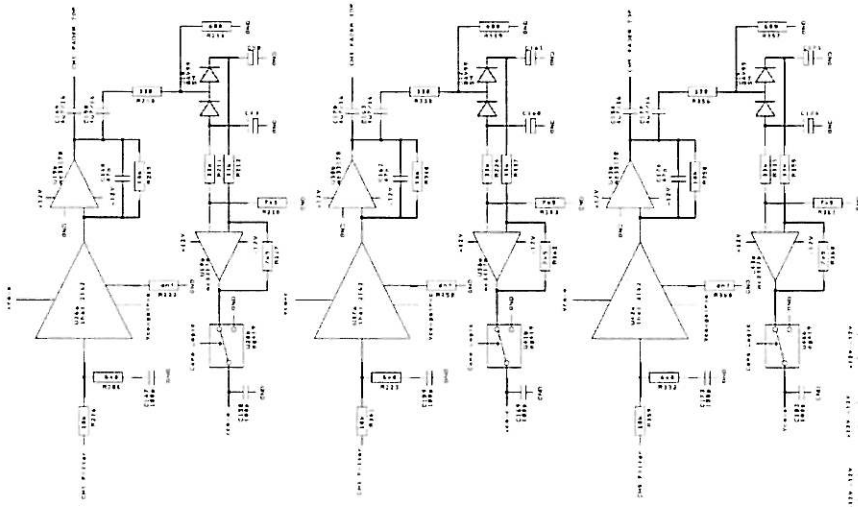
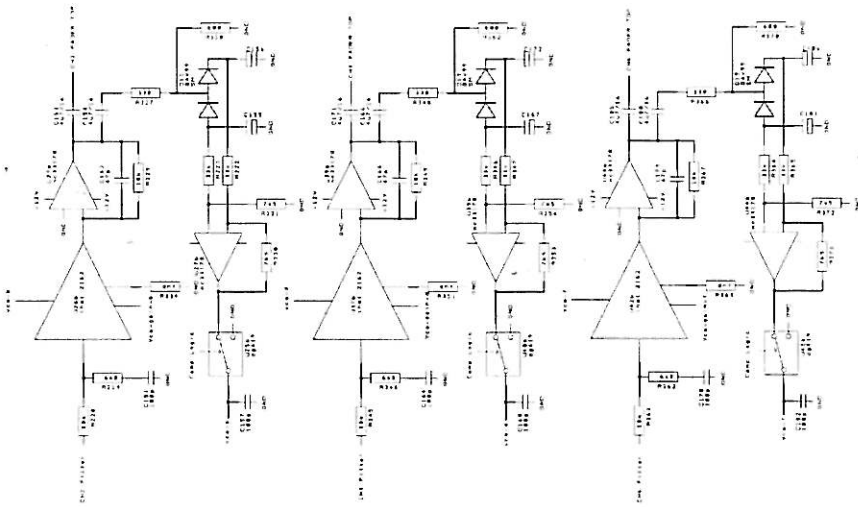
**Fader 6 GSY45
MISC**

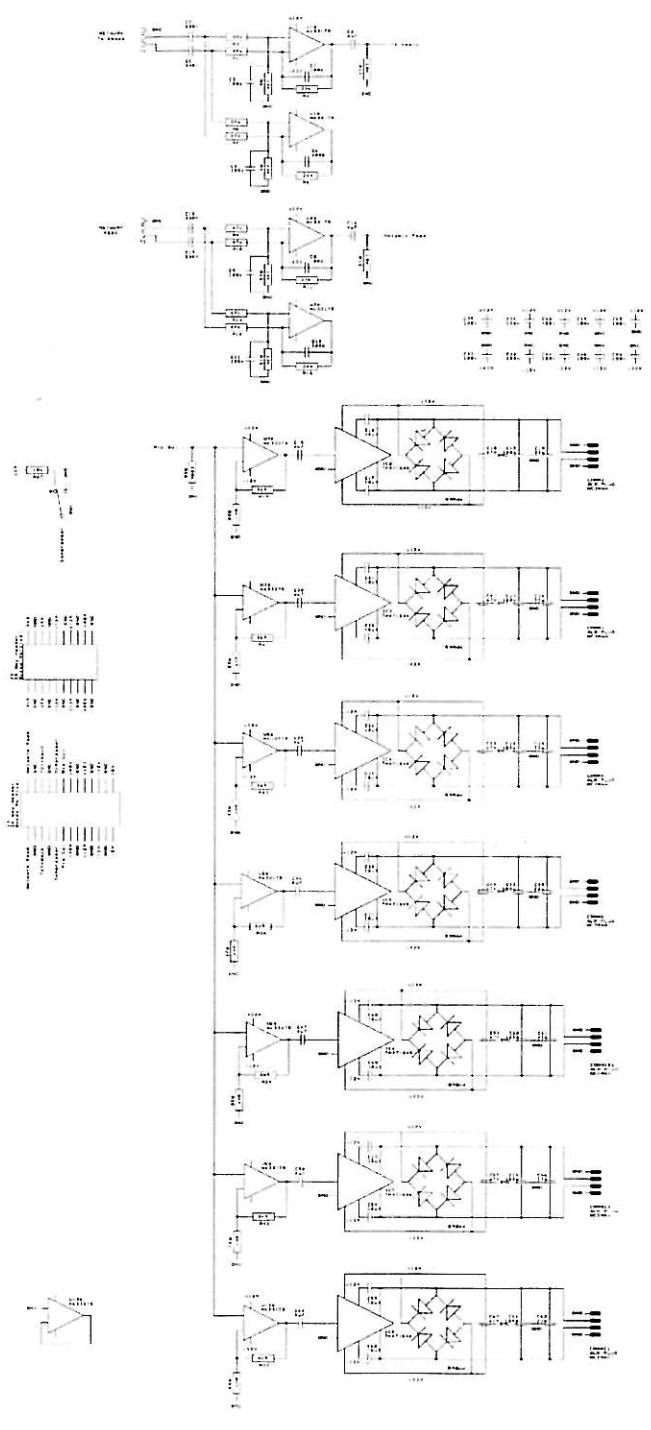
DRAWING NUMBER

A4-17134

DRAWN BY







REF. NO.	DESCRIPTION	QTY	UNIT
R1	10K	12	RES
R2	10K	12	RES
R3	10K	12	RES
R4	10K	12	RES
R5	10K	12	RES
R6	10K	12	RES
R7	10K	12	RES
R8	10K	12	RES
R9	10K	12	RES
R10	10K	12	RES
R11	10K	12	RES
R12	10K	12	RES
C1	100µF	6	CAP
C2	100µF	6	CAP
C3	100µF	6	CAP
C4	100µF	6	CAP
C5	100µF	6	CAP
C6	100µF	6	CAP

Refer to CSY46
 Rev. 1.0

ISSUE 1 DATE 10/07/2012
 DRAWING NUMBER A2-17138

